



3" SCH 40 to any 3" ID Pipe
PART #: 30131-TL



Any 3" ID Pipe



3" SCH 40 Socket



4" SCH 40 to any 4" ID Pipe
PART #: 30130-TL



Any 4" ID Pipe



4" SCH 40 Socket



6" SCH 40 to any 6" ID Pipe
PART #: 30132-TL



Any 6" ID Pipe



6" SCH 40 Socket

EXTEND & LOK™

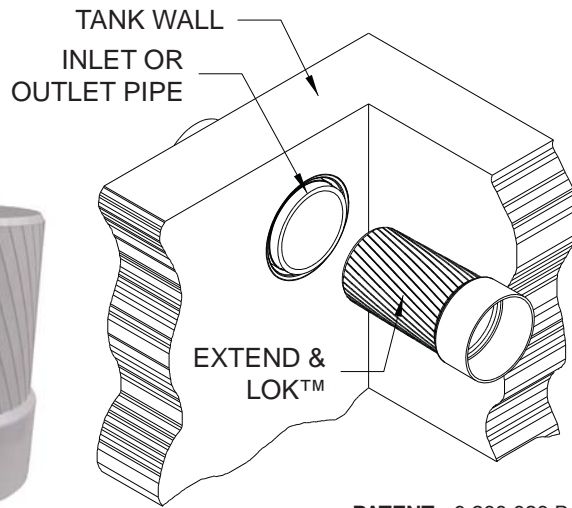
Our Extend & Lok™ is a simple, easy to use solution that can extend the inlet or outlet pipe, and make filter and/or baffle installation a snap. No more fighting with outlet pipes that are flush against the septic tank wall. Simply hammer in the PVC friction fit Extend & Lok™ and that's it! The filter or inlet tee can now easily be installed and centered under the riser.



Makes Filter Installation EASY!
Easy to install in hard to reach places.

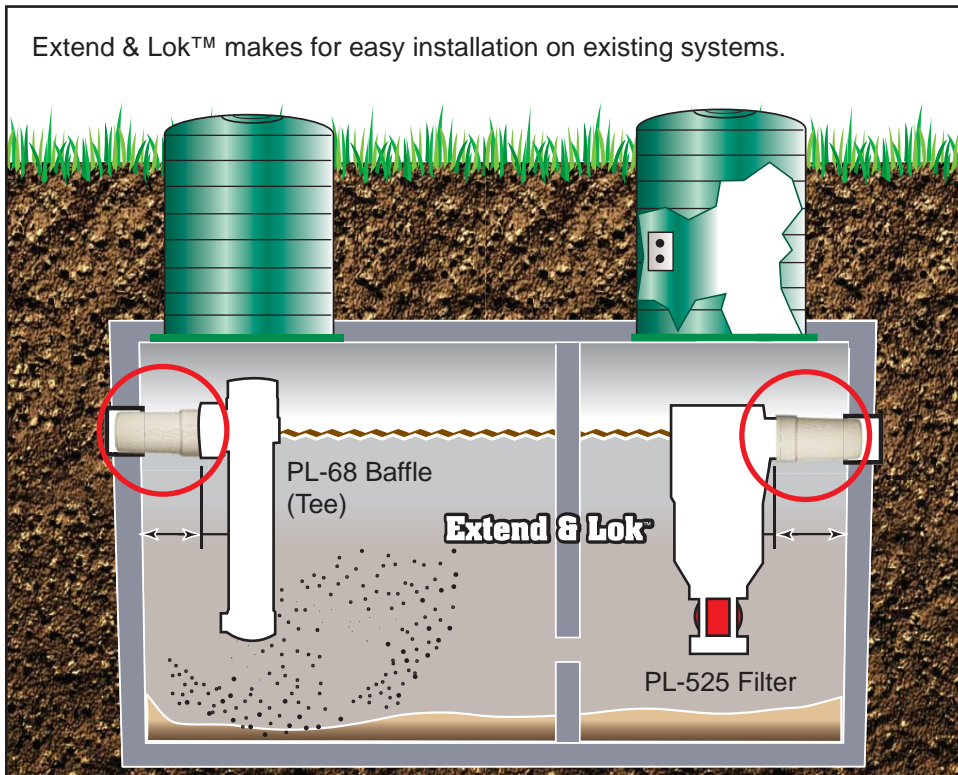
FEATURES

- Fits any 3", 4" or 6" pipe
- Centers filter or tee under riser
- Easy Installation
- No gluing necessary



PATENT • 9,233,323 B1

Extend & Lok™ makes for easy installation on existing systems.



Before (cast iron pipe)



After (4" Extend & Lok™)



With PL-68 Filter & Tee



With risers installed